

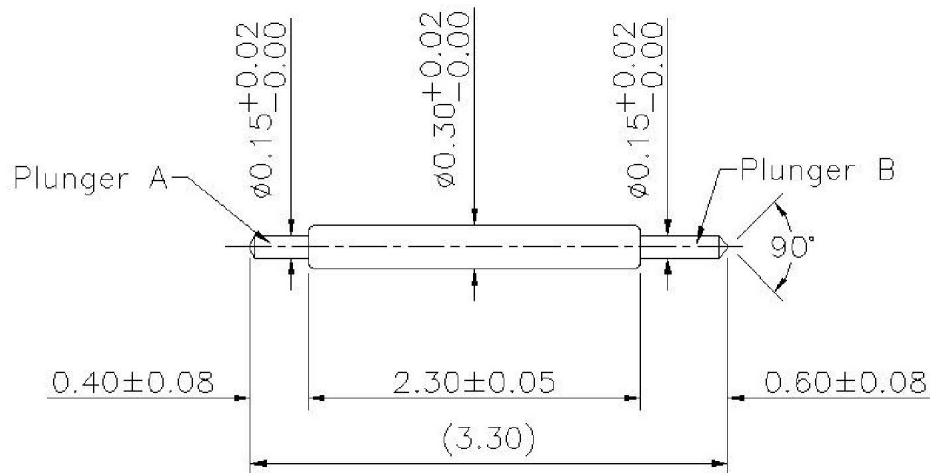


C.C.P. Contact Probes Co., Ltd

5F, No.8 Lane 24 Ho Ping Rd., Panchiao City 220, Taipei Taiwan R.O.C.
Tel:+886-2-29612525 Fax:+886-2-29610355 http://www.pccp.com.tw



DE1-030DE23-010



Material & Finishes

- Plunger A : Hardened BeCu Plated with Hard Gold (80μ "") over Nickel
- Plunger B : Hardened BeCu Plated with Hard Gold (80μ "") over Nickel
- Plated Barrel : Phosphor Bronze Plated with Hard Gold (20μ "") over Nickel
- Plated Spring : Music Wire (SWP) Flashed with Hard Gold over Nickel

Electrical Characteristics

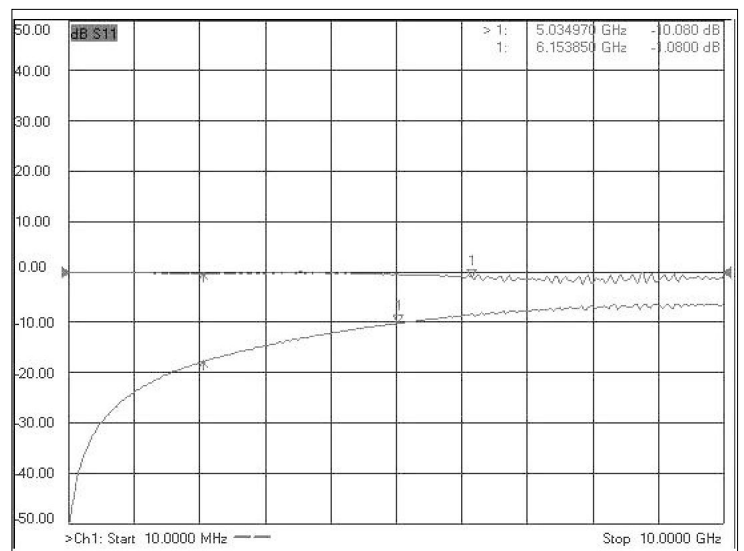
- Current Rating : 2 A Continuous
- DC Resistance : $\leq 100 \text{ m}\Omega$ (AVG)
- Characteristic Impedance : 50Ω
- Insertion Loss: 6.15GHz@-1dB
- Return Loss: 5.03GHz@-10dB

Mechanical

- Full Stroke : 0.70 mm
- Durability : 200K cycles (minimum)
- Spring Force : $32\text{g} \pm 20\%$ at 0.50 mm
- Recommend Travel : 0.50 mm

Electrical Measuring Equipment

- Agilent Network Analyzer N5230A 【10MHz to 20GHz】



中國探針股份有限公司

220 台北縣板橋市和平路24巷8號5樓

TEL:(02)29612525 FAX:(02)29610355