

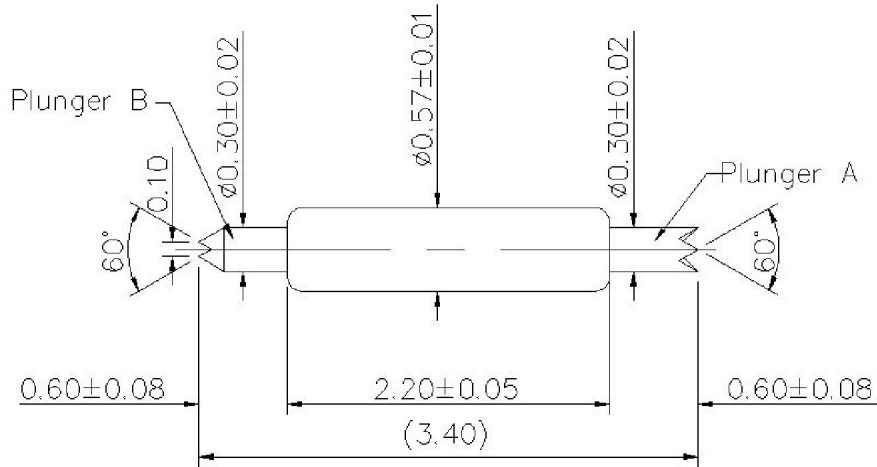


C.C.P. Contact Probes Co., Ltd

5F, No.8 Lane 24 Ho Ping Rd., Panchiao City 220, Taipei Taiwan R.O.C.
Tel:+886-2-29612525 Fax:+886-2-29610355 http://www.pccp.com.tw



DE1-057FF22-010



Material & Finishes

- Plunger A : Hardened BeCu Plated with Hard Gold (80μ "") over Nickel
- Plunger B : Hardened BeCu Plated with Hard Gold (80μ "") over Nickel
- Plated Barrel : Brass Plated with Hard Gold (20μ "") over Nickel
- Plated Spring : Music Wire (SWP) Flashed with Hard Gold over Nickel

Electrical Characteristics

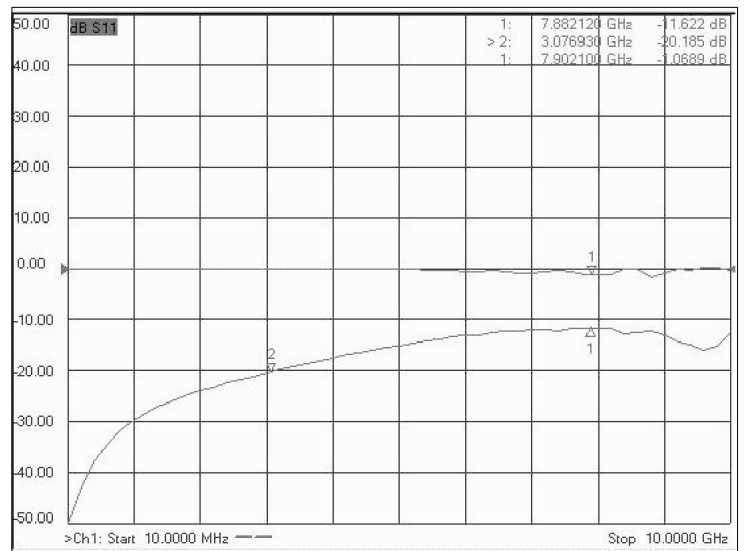
- Current Rating : 1 A Continuous
- DC Resistance : $\leq 50 \text{ m}\Omega$ (AVG)
- Characteristic Impedance : 50Ω
- Insertion Loss: 7.90GHz@-1.06dB
- Return Loss: 7.88GHz@-11.62dB

Mechanical

- Full Stroke : 0.60 mm
- Durability : 200K cycles (minimum)
- Spring Force : $25\text{g} \pm 20\%$ at 0.45 mm
- Recommend Travel : 0.45 mm

Electrical Measuring Equipment

- Agilent Network Analyzer N5230A 【10MHz to 20GHz】



中國探針股份有限公司

220 台北縣板橋市和平路24巷8號5樓

TEL:(02)29612525 FAX:(02)29610355