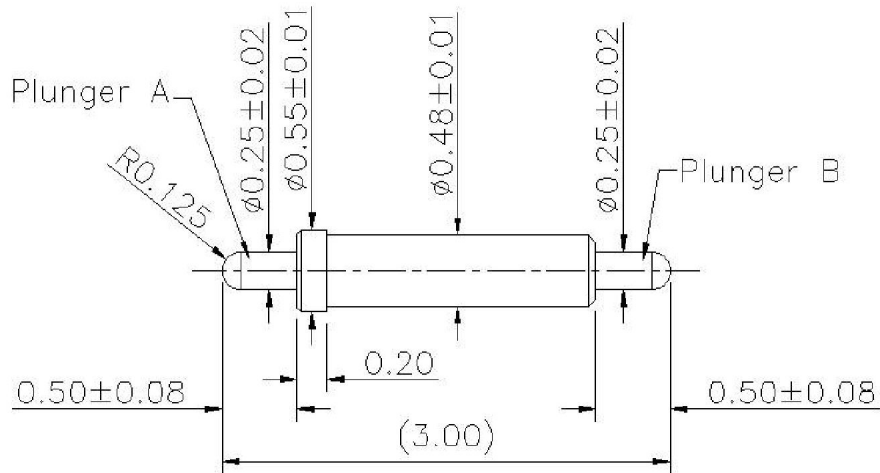




DE2-048DD20-010



Material & Finishes

- Plunger A : Hardened BeCu Plated with Hard Gold ($80\mu''$) over Nickel
- Plunger B : Hardened BeCu Plated with Hard Gold ($80\mu''$) over Nickel
- Plated Barrel : Phosphor Bronze Plated with Hard Gold ($20\mu''$) over Nickel
- Plated Spring : Music Wire (SWP) Flashed with Hard Gold over Nickel

Electrical Characteristics

- Current Rating : 3 A Continuous
- DC Resistance : $\leq 100 \text{ m}\Omega$ (AVG)
- Characteristic Impedance : 50Ω
- Insertion Loss: 10.0GHz@-0.59dB
- Return Loss: 10.0GHz@-11.67dB

Mechanical

- Full Stroke : 0.70 mm
- Durability : 200K cycles (minimum)
- Spring Force : $12\text{g} \pm 20\%$ at 0.60 mm
- Recommend Travel : 0.60 mm

Electrical Measuring Equipment

- Agilent Network Analyzer N5230A 【10MHz to 20GHz】

