

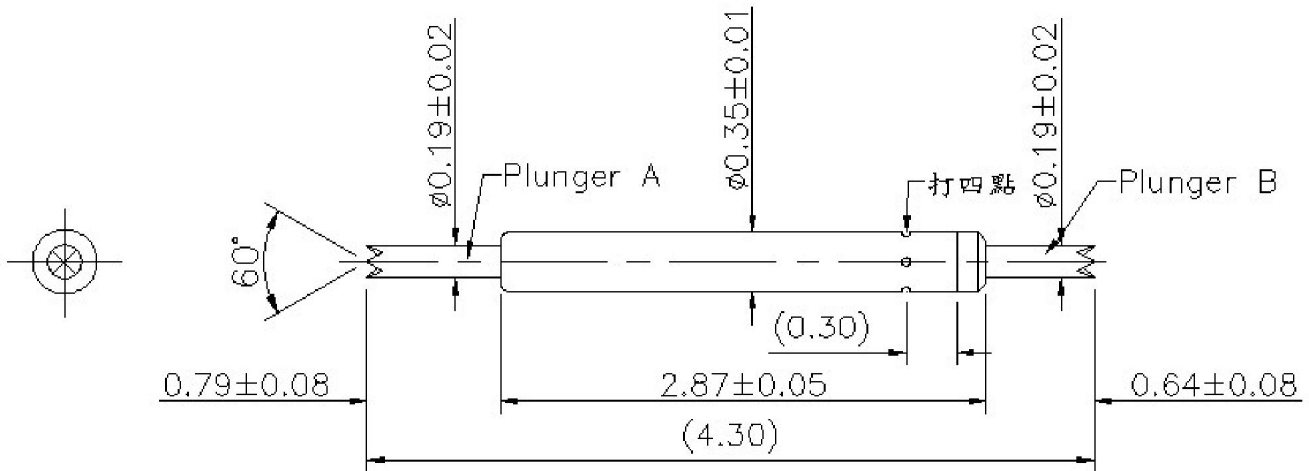


# C.C.P. Contact Probes Co., Ltd

5F, No.8 Lane 24 Ho Ping Rd., Panchiao City 220, Taipei Taiwan R.O.C.  
Tel:+886-2-29612525 Fax:+886-2-29610355 http://www.pccp.com.tw



DE3-035FF28-010



## Material & Finishes

- Plunger A : Hardened BeCu Plated with Hard Gold ( $80\mu$ "") over Nickel
- Plunger B : Hardened BeCu Plated with Hard Gold ( $80\mu$ "") over Nickel
- Plated Barrel : Phosphor Bronze Plated with Hard Gold ( $20\mu$ "") over Nickel
- Plated Spring : Music Wire (SWP) Flashed with Hard Gold over Nickel

## Electrical Characteristics

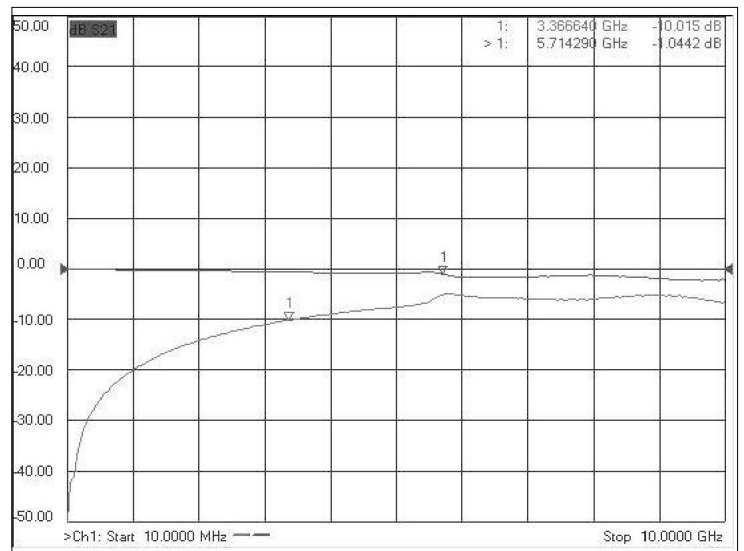
- Current Rating : 3 A Continuous
- DC Resistance :  $\leq 100 \text{ m}\Omega$  (AVG)
- Characteristic Impedance :  $50 \Omega$
- Insertion Loss: 5.71GHz@-1dB
- Return Loss: 3.36GHz@-10dB

## Mechanical

- Full Stroke : 0.45 mm
- Durability : 200K cycles (minimum)
- Spring Force :  $30\text{g} \pm 20\%$  at 0.30 mm
- Recommend Travel : 0.30 mm

## Electrical Measuring Equipment

- Agilent Network Analyzer N5230A 【10MHz to 20GHz】



中國探針股份有限公司

220 台北縣板橋市和平路24巷8號5樓

TEL:(02)29612525 FAX:(02)29610355